

User Manual

Air purifier

Model:HM-AIR-881 HM-AIR-882 HM-AIR-883 HM-AIR-884 HM-AIR-885 HM-AIR-886 HM-AIR-887 HM-AIR-M6 HM-AIR-M7

一. Warm Tips

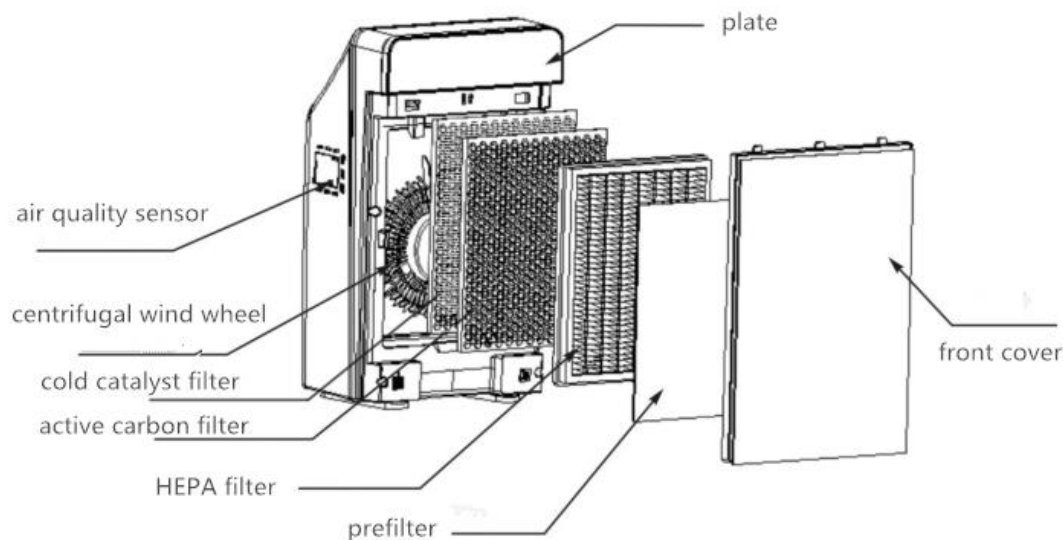
Thanks for using our Air purifier, before you use it, please read this manual carefully. Welcome your suggestions while using it.

二. Specification

Voltage	220-240V/50Hz
Power	35W
Using room	35-50M ²
Filter	Pre-filter, HEPA, Active carbon

三. Component name

Picture



四. Using Description

1. Read this manual carefully and keep it for future reference.
2. Remove the outer package and the pp bag outside of the filter.
3. Put the machine on the dry, smooth ground or level, ensure there is more than 20cm space for the machine to be used.
4. Before plug in, please check the power and the plug.
5. When using the function of "negative ion", there will be a little sound, it is normal condition. Because the negation ion generator is working, it will release a lot of negative ion.

五. Operation Description

Connect the machine to the power outlet

1. The power button will be flashing when the device is connected to the power outlet.
2. Before first use: Please remove the front cover, by pulling from the bottoms of the sides until it unhinges, to close insert the top first, and push from the bottom until it clicks into place.

3. Speed choice

Choose the fan speed according to mode.

- (1) Normal mode (speed 2): used for empty rooms.
- (2) Silent mode (speed 1).
- (3) Energy efficient mode (speed 3): used for crowded rooms.

4. Timer

The timer can be set for 1-to-8 hours.

5. Anion Mode

Anion mode can only be turned on/off only from the remote control.

Cleaning and Maintenance

- Turn off the machine and unplug the power cord.
- Clean dirt from the body of the machine by using a dry, soft cloth.
- Use a soft brush to clean both the wind inlet and outlet.

6. Filter replacement reminder

When the filter is in need of changing, it will remind you on the screen. To reset "Replace Filter" reminder PRESS and HOLD "Timer" button for 5 seconds.

7. Formaldehyde removal

8. Mode: Sleep/Auto

9. Air quality: Color led shows air quality: Ideal, Moderate and Poor

六. Error and its solution

Issue	Solution
Not work properly	Check if the power is on
No air from wind outlet	Check if the power is on
Mahine works so long time, but the air is still not good	Because of long term and heavy pollution, can add 1-2 extra machines
Strange noise from the machine	Be sure of moving the pp bag of the filter
	Be sure ther is nothing blocking the wind in/outlet.
	If strange operation, contact the retailer.

七. Safety Notice

This machine cannot be used alone by Children, disabled, psychiatric patient. Ensure your safety, please read the manual carefully and obey its rules, it is very important to your safety.

⊘ Forbidden

1. Donot use it if the cord, plug is broken.
2. Donot curve, pull, reverse the cord, donot put anything heavy on the machine
3. Donot use the wet hands to control the machine and the power.
4. Donot take apart, repair the machine by yourself.
5. Donot put your fingers or other hard thing into the inlet/outlet, otherwise, it may cause error or electric shock.
6. Donot install the machine in the wet room or conditions, such as washroom.
7. Donot use in the condition of heavy oiled.
8. Donot use in the condition of Flammable and explosive, corrosion, Flammable gas, metal rust.
9. Donot wash by petrol, chemicals, donot spray Insecticide.
10. Donot use the machine if you spray insecticide into the room.
11. Donot put the machine on the unsmooth ground or level.
12. Donot use the machine for the purpose of the hood in the kitchen.
13. Donot down or tilt the machine during using.
14. Donot move it when using it.

Safety Attention

1. Ensure the plug is in the right power socket according to the voltage on the label.
2. If the cord is broken, please do not change it yourself, contact the retailer.
3. Be sure the plug is right connection, and the plug will not be hot.
4. Ensure there will be more than 20cm distance from the wall or other thing nearby, over 30 cm distance from the top.
5. Do not use other filters in the machine, do not press, hit, insert into the machine by the hard, sharp.
6. Turn off the power when cleaning or maintaining.

Maintenance Guide

1. Please keep well the warranty card.
2. Any problem if properly installation and usage, you can contact with the retailers or agent by the card.
3. The following conditions are not covered by the warranty.
 - (1) Do not use the machine properly.
 - (2) Break the machine by strength, not the quality of the machine itself.
 - (3) Repair the machine personally, not using our professional technician.
 - (4) Warranty card is broken, changed, lost.
 - (5) The filters are not covered by the warranty.

Warranty Card

Name: _____ Model Number: _____

Tel.: _____ Post Code: _____

Address: _____

Buying Date: _____